

BEEM RAIL

HANDRAIL LIGHT SERIES

A series of small sized luminaires for handrail installation to illuminate walkways along the handrails. Beem Rail series luminaires are available in linear and round forms, which are suitable for both round and square shaped handrails.

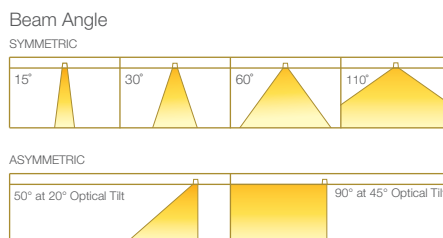
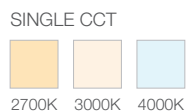


Fixture Features



IP65 IP67

Module Colour Temperature Variation



Driver Dimming Variation



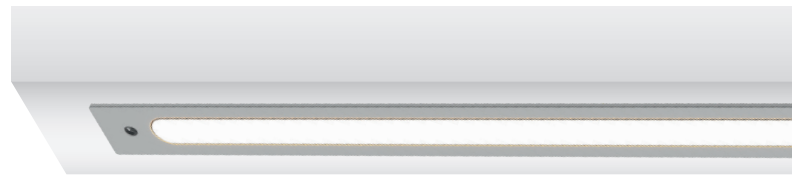
BEEM RAIL LINEAR 65

3.5W / 0.5W / 1.5W / 2.5W HANDRAIL LIGHT

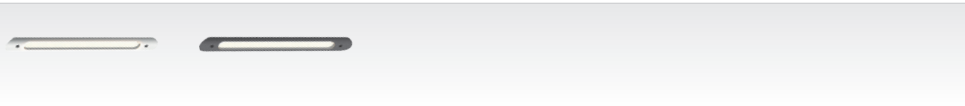



#LINEAR
#CURVE




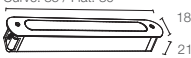

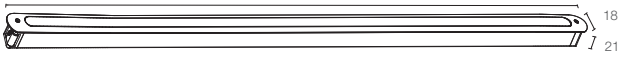

#LINEAR
#FLAT



AVAILABLE OPTIONS

FIXTURE COLOUR OPTIONS	Trim Colour Options	SILVER ANODIZED	MATT BLACK RAL9011
			
LED MODULE	SINGLE CCT		
			
DRIVER DIMMING			
	<p><i>*24V drivers are not included and are sold separately</i></p> <p>(24V)</p>		

DIMENSIONS (MM)

 <p>Cut : 72 x 15 (0.5W) 172 x 15 (1.5W) 272 x 15 (2.5W) 372 x 15 (3.5W)</p>	<p>Curve: 85 / Flat: 80</p> <p>(0.5W)  18 / 21</p>	<p>Curve: Suitable for round handrail size of Ø48-52mm with material thickness of 0.8-3.0mm</p> <p>Flat: Suitable for square handrail size of >30x30mm with material thickness of 0.8-3.0mm</p>
	<p>Curve: 185 / Flat: 180</p> <p>(1.5W)  18 / 21</p>	
	<p>Curve: 285 / Flat: 280</p> <p>(2.5W)  18 / 21</p>	
	<p>Curve: 385 / Flat: 380</p> <p>(3.5W)  18 / 21</p>	

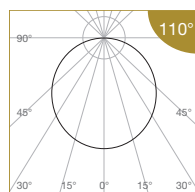
SPECIFICATIONS

Family Type	Beem Rail Series
Input Voltage	24V DC Constant Voltage
Input Power	3.5W, 2.5W, 1.5W, 0.5W
Lifetime	50,000 hours (80% lumen maintenance at Ta = 25°C), B10
Beam Angles	110°
Colour Temperatures	2700K, 3000K, 4000K
CRI	High Efficiency (CRI~85)
SDCM	3 steps MacAdam ellipse binning

Driver (Dimming)	Non-dimmable
Materials	Aluminium, plastic
Ingress Protection	IP65
Regulatory Markings	CE, RoHS
Weight	0.05g

PHOTOMETRICS

BEEM RAIL LINEAR



Height (m)	E(0°)	E(0°)	BEEM RAIL LINEAR		Luminous Flux (lm)
			Input Power	CRI	3000K
1	483	0.94	3.5W	High Efficiency CRI~85	110°
	121	1.88			
2	54	2.82	2.5W	High Efficiency CRI~85	175
	30	3.76			
3	19	4.71	1.5W	High Efficiency CRI~85	110
4			0.5W	High Efficiency CRI~85	35

Correction Factor: BEEM RAIL LINEAR 2.5W - f = 0.71
 BEEM RAIL LINEAR 1.5W - f = 0.45
 BEEM RAIL LINEAR 0.5W - f = 0.14

Data are based on 3000K (ProART CRI~95). Nominal data of 2700K and 3500K are shared with 3000K. Higher CCT of 4000K and 5000K will have a nominal data value of 5% higher than published. (f = 1.05)
 Nominal CRI~85, equals to Ra>80~87, R9>0

ORDERING MATRIX CHART

Type	Fixture				LED Module							
	Shape	Length		Colour		Beam Angle		Colour Temp		CRI		
BEEMRAIL-LINEAR	C	Curve	385	385mm (3.5W)	SA	Silver Anodized	110	110°	27	2700K	HE	Ra~85
			285	285mm (2.5W)					30	3000K		
			185	185mm (1.5W)					40	4000K		
			85	85mm (0.5W)								
	F	Flat	380	380mm (3.5W)	MB	Matt Black						
			280	280mm (2.5W)								
			180	180mm (1.5W)								
			80	80mm (0.5W)								

example: BEEMRAIL-LINEAR.C.85.MB.110.27.HE

*Drivers for BEEM RAIL Series are sold separately.